

## Feature

Dimensions:

Weight:

Racking:

Battery Compartment:

Construction:

InFusion ®:

Doors:

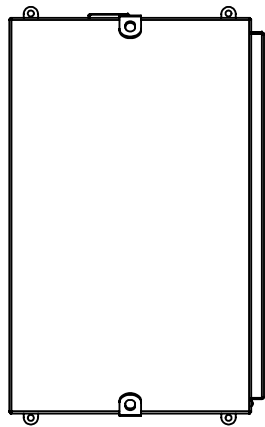
External Mounting:

Internal Mounting:

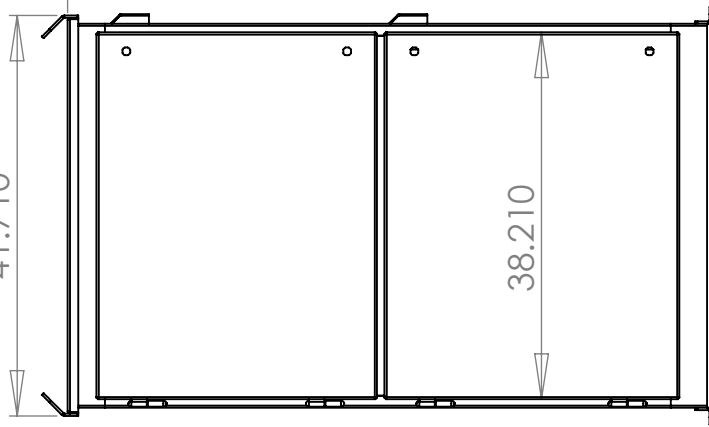
## Description

- 67 X 41.7 X 26.5 inches
- 525 lbs.
- Will accommodate 19" racking. (Customizable).
- Vented compartment with spill tray holds eight 185ah MK Gel batteries or eight 185ah Haze AGM batteries. (Customizable).
- Made of 12 gauge steel with a durable powder coat finish.
- Customized graphics can be infused directly into powder coating with only 2% fading over 1 year in the south Florida sun.
- Two lockable doors utilize a standard tamper resistant cabinet key.
- External mounting flanges and lifting eyes for easy installation.
- Has chase on both sides to accommodate any wiring. Also has back plates on all three sides of the upper cabinet for mounting any devices.

**218-837-5155 or 888-936-7448**  
**[www.zenergyguide.com](http://www.zenergyguide.com)**

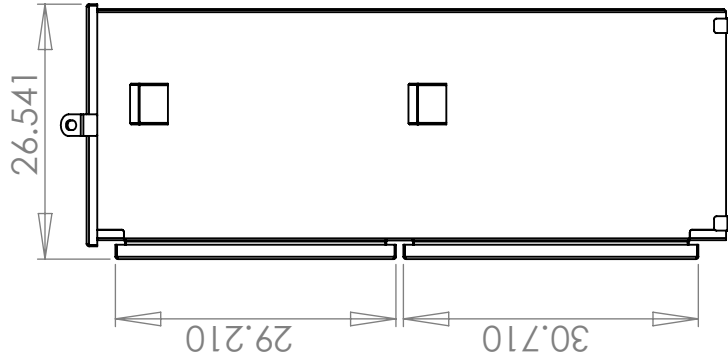


41.710



38.210

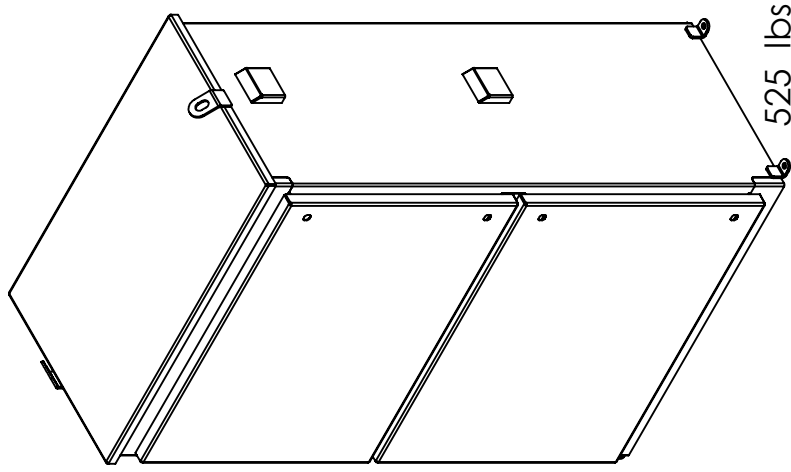
67.105



29.210

30.710

26.541



525 lbs

PROPRIETARY AND CONFIDENTIAL  
 THE INFORMATION CONTAINED IN THIS  
 DRAWING IS THE SOLE PROPERTY OF  
 ZENERGY. ANY REPRODUCTION IN PART  
 OR AS A WHOLE WITHOUT THE WRITTEN  
 PERMISSION OF ZENERGY IS PROHIBITED.

UNLESS OTHERWISE SPECIFIED:		NAME	DATE
DIMENSIONS ARE IN INCHES	DRAWN		
TOLERANCES:	CHECKED		
FRACTIONAL ±	ENG APPR.		
ANGULAR: MACH ± BEND ± 1°	MFG APPR.		
TWO PLACE DECIMAL ± .030	Q.A.		
THREE PLACE DECIMAL ± .030	COMMENTS:		
INTERPRET GEOMETRIC TOLERANCING PER:			
MATERIAL			
FINISH			
USED ON			
APPLICATION			
NEXT ASSY			
DO NOT SCALE DRAWING			

TITLE:

SIZE DWG. NO. REV  
**A** cab1 assm

SCALE: 1:50 WEIGHT: SHEET 1 OF 1